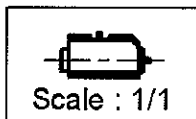
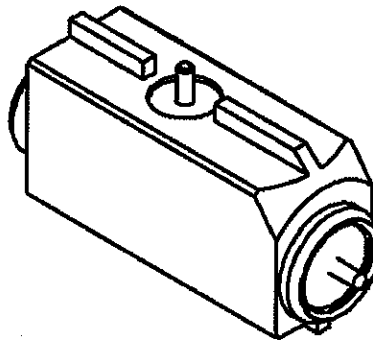
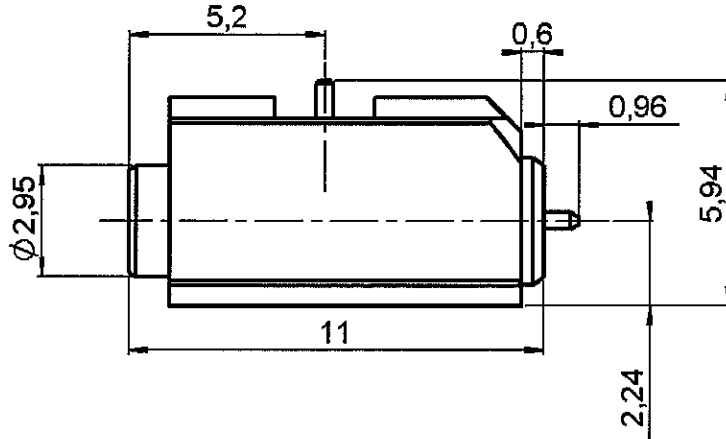
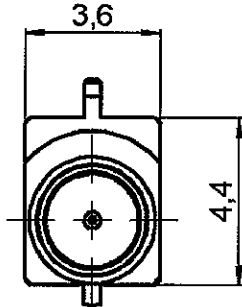


REEL OF 500 SMT SWITCH RECEPTACLE

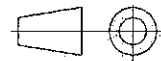
**R299.794.880**

EDGE-CARD

Series : **DIVERS**



All dimensions are in mm.



COMPONENTS	MATERIALS	PLATING (µm)
BODY	BRASS	GOLD 0.2 OVER NICKEL 2
CENTER CONTACT	BERYLLIUM COPPER	GOLD 0.8 OVER NICKEL 2
OUTER CONTACT	-	-
INSULATOR	POLYETHER ETHERCETONE 30% GF	-
GASKET	-	-
OTHERS PARTS	STAINLESS STEEL	-
-	-	-
-	-	-

Issue : 0530 D

In the effort to improve our products, we reserve the right to make changes judged to be necessary.



**REEL OF 500 SMT SWITCH RECEPTACLE**

**R299.794.880**

**EDGE-CARD**

Series : **DIVERS**

**PACKAGING**

Standard	Unit	Other
500	'W' option	Contact us

**SPECIFICATION**

**ELECTRICAL CHARACTERISTICS**

Impedance		<b>50</b> Ω
Frequency		<b>0-3</b> GHz
VSWR	<b>1.4*</b> +	<b>0.000</b> x F(GHz) Maxi
Insertion loss		<b>0.3**</b> √F(GHz) dB Maxi
RF leakage	- (	- F(GHz)) dB Maxi
Voltage rating		<b>100</b> Veff Maxi
Dielectric withstanding voltage		<b>250</b> Veff mini
Insulation resistance		<b>5000</b> MΩ mini

**ENVIRONMENTAL**

Operating temperature	<b>-40/+110</b> °C
Hermetic seal	<b>NA</b> Atm.cm3/s
Panel leakage	<b>NA</b>

**OTHER CHARACTERISTICS**

Assembly instruction

Others :

\* 1.4 Max at 2.5 GHz

\*\*isol between 2 ways:-22dBmin at 2.5GHz

**MECHANICAL CHARACTERISTICS**

Center contact retention		
Axial force – Mating end		<b>N</b> mini
Axial force – Opposite end		<b>N</b> mini
Torque		<b>N.cm</b> mini
Recommended torque		
Mating		<b>NA</b> N.cm
Panel nut		<b>NA</b> N.cm
Mating life	<b>5000</b>	Cycles mini
Weight	<b>1.002</b>	g

Issue : 0530 D

In the effort to improve our products, we reserve the right to make changes judged to be necessary.



**RADIALL**®

**REEL OF 500 SMT SWITCH RECEPTACLE**

**R299.794.880**

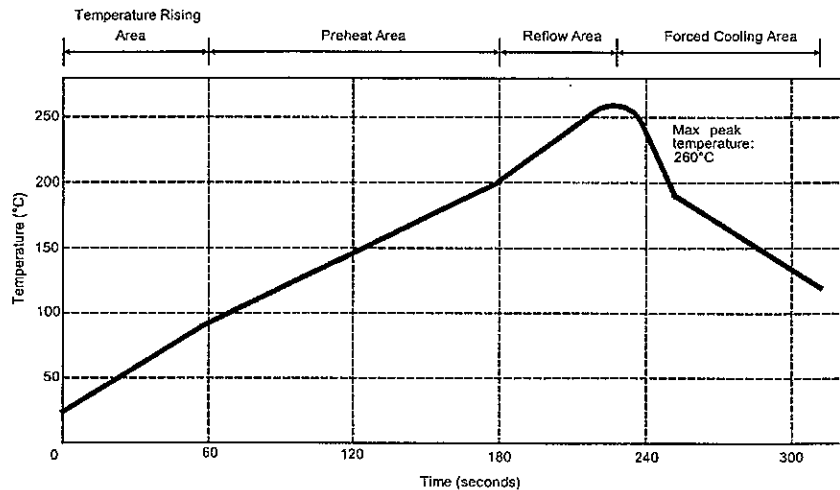
**EDGE-CARD**

Series : **DIVERS**

**SOLDER PROCEDURE**

1. Deposition of solder paste 'Sn Ag4 Cu0.5' on mounting zone by screen printing application. We recommend a low residue flux.  
We advise a thickness of 150 microns mini ( 0.006 inch mini ). Verify that the edges of the zone are clean.
2. Placement of the receptacle on the mounting zone with an automatic machine of 'pick and place' type.  
Video camera is recommended for the positioning of the component. Adhesive agents must not be used on the receptacle.
3. Soldering by infra-red reflow.  
Below, please find the typical profile to use.
4. Cleaning of printed circuit boards.
5. Checking of solder joints and position of the component by visual inspection.

**TEMPERATURE PROFILE**



Parameter	Value	Unit
Temperature rising Area	1 - 4	°C/sec
Max Peak Temperature	260	°C
Max dwell time @260°C	10	sec
Min dwell time @235°C	20	sec
Max dwell time @235°C	60	sec
Temperature drop in cooling Area	-1 to - 4	°C/sec
Max dwell time above 100°C	420	sec

Issue : 0530 D

In the effort to improve our products, we reserve the right to make changes judged to be necessary.



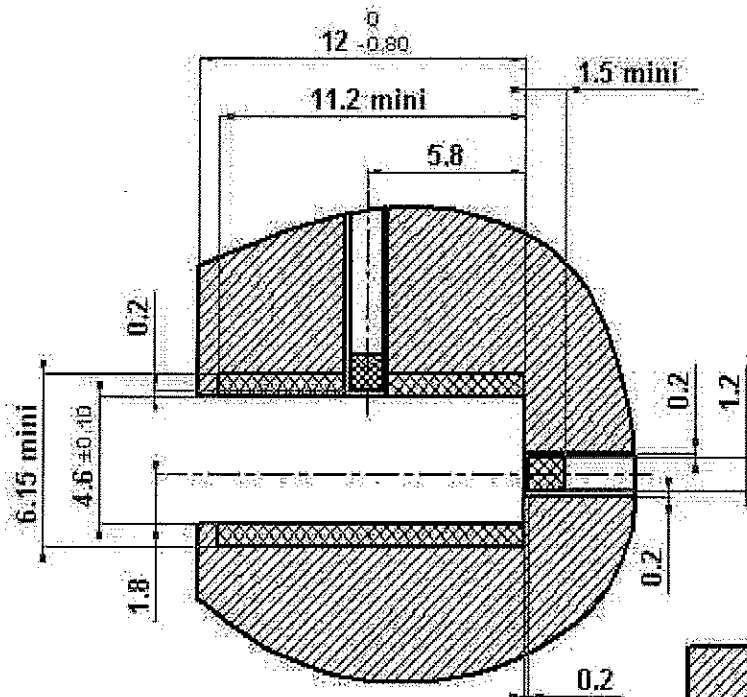
REEL OF 500 SMT SWITCH RECEPTACLE

**R299.794.880**

EDGE-CARD

Series : DIVERS

**INFORMATIONS**



 Pattern

 Land for solder paste

**COPLANAR LINE :**

Ground and signal are on the same side.

Thickness of PCB : 1 mm.

The material of PCB is glass – epoxy composite (Er=4.8)

The solder resist should be printed except for the land pattern of the PCB.

Issue : 0530 D

In the effort to improve our products, we reserve the right to make changes judged to be necessary.



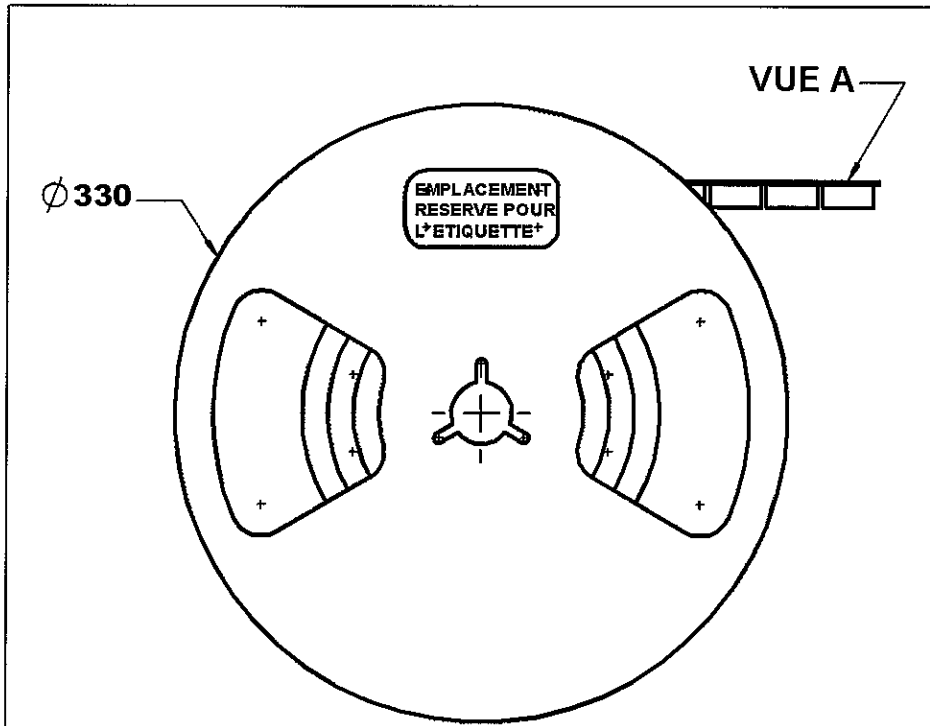
REEL OF 500 SMT SWITCH RECEPTACLE

**R299.794.880**

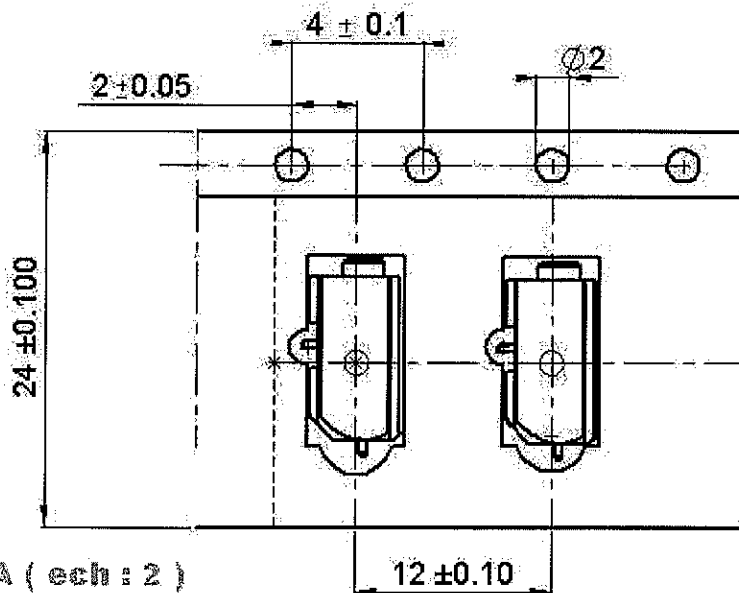
EDGE-CARD

Series : **DIVERS**

**PACKAGING**



bobine Ech : 0.7



Vue A ( ech : 2 )

Issue : 0530 D

In the effort to improve our products, we reserve the right to make changes judged to be necessary.

